



CY70 Series Transfer Pump

Model Numbers: CY70-75/A, CY70-90/A, CY70-110/A

Robust & compact, single-stage all stainless steel centrifugal pumps, driven by a TEFC motor. Designed for total head duties to 36m and flows to 215lpm. Able to handle hot water up to 80°C for vat cleaning.

APPLICATIONS

Ideal for pumping clean, non-volatile liquids without fibres or solids in such applications as:-

- Dairy washdown
- Small scale irrigation
- Water transfer
- Washing systems
- Pressure boosting

WHY CHOOSE THE CY70 SERIES TRANSFER PUMP?

- Pump is manufactured from all stainless steel components to handle high water temperatures (80°C) making it ideal for dairy washdown
- TEFC motor is corrosion resistant and excludes dust and dirt
- Motor and pump designed for frequent starts
- Quick and easy installation
- Low maintenance
- Easy to service if required

PUMP

- Single impeller design.
- Closed vane 304 stainless steel impellers.
- Captive teflon neckring.
- 316 stainless steel pump shaft.
- 304 stainless steel casing.
- Mechanical shaft seal.
- Oring casing seal.

MOTOR

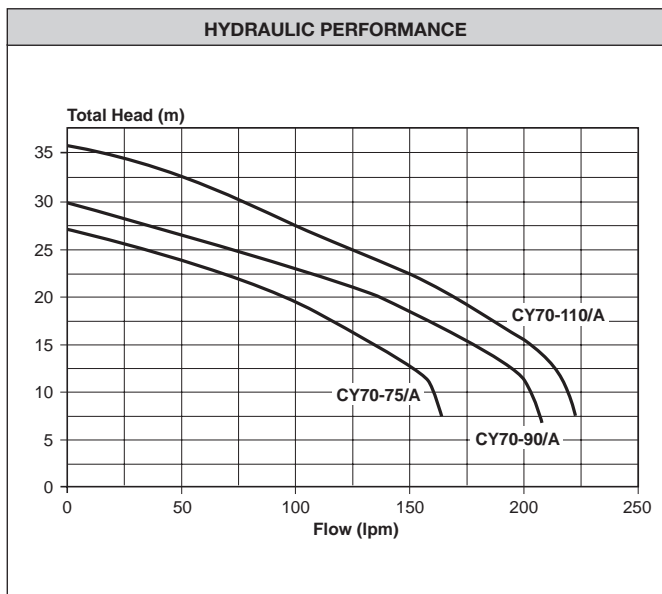
- 2 pole, 50Hz (220-240V).
- TEFC with IP55 enclosure.
- Class F insulation.
- Permanent split capacitor design.
- Protected against both high operating temperature and high current by a built-in automatically resetting thermal overload.

DAVEY

Experts in water.

ELECTRICAL DATA			
Model	CY70-75/A	CY70-90/A	CY70-110/A
Nominal rpm	2900		
Volts / hertz / phase	220-240 / 50 / 1		
IP rating / insulation	55 / Class F		
Amps	4.5	5.4	6.4
kW (P ₁) / (P ₂)	1.1 / 0.75	1.3 / 0.9	1.4 / 1.1
Power lead	1.8m lead with Australian 3 pin plug		

MATERIALS OF CONSTRUCTION	
Part	Material
Impeller	304 stainless steel
Lock nut	304 stainless steel
Pump casing	304 stainless steel
Pump shaft	316 stainless steel
Seal ring (stationary)	Ceramic
Seal ring (rotating)	Carbon
Seal spring	304 stainless steel
Orings	EPDM
Diffuser	304 stainless steel
Neckring	Teflon
Motor shell	Aluminium
Shell finish	Polyester

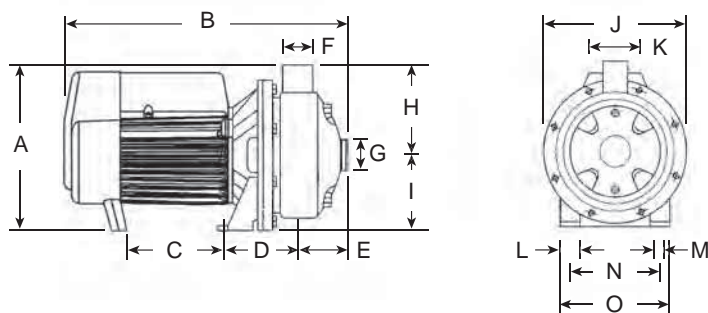


OPERATING LIMITS			
Model	CY70-75/A	CY70-90/A	CY70-110/A
Flow capacities to	150 lpm	200 lpm	215 lpm
Maximum total head	27m	30m	36m
Maximum suction lift	7m		
Max. water temperature continuous	+80°C		
Minimum water temperature	-15°C		
Maximum ambient temperature	55°C		
Inlet size	1 1/4" BSP(F)		
Outlet size	1" BSP(F)		
Maximum pump casing pressure	800kPa		

Installation and Priming

- Installations with suction lift require a good quality foot valve to avoid loss of prime.
- To prime, fill pump body and suction line through priming plug hole located above suction inlet and replace plug.

DIMENSIONS (mm)																
Model	Weight (kg)	A	B	C	D	E	F	G	H	I	J	K	L	M	N	O
CY70-75/A	10	232	343	135	92	52	1"	1 1/4"	124	108	213	52	39	9	120	158
CY70-90/A	11	232	343	135	92	52	1"	1 1/4"	124	108	213	52	39	9	120	158
CY70-110/A	14.5	260	410	176	97	51	1"	1 1/4"	139	121	240	60	39	9	140	180



Authorised Distributor:



Pansar Company Sdn. Bhd. (50977M)

Wisma Pansar, 23-27 Jalan Bengkel, P. O. Box 319, 96007 Sibul, Sarawak.

T +6084-333 366 F +6084-314 555 E marine.industrial@pansar.com.my W pansar.com.my

Kuala Lumpur Regional Office

No. 7 Jalan Astaka, U8/84, Bukit Jelutong Industrial Park, Seksyen U8, 40150 Shah Alam, Selangor.

T +603-7845 3366 F +603-7846 9031

Kuala Lumpur +603-7845 3366 **Johor Bahru** +607-352 1108 **Muar** +606-951 0386 **Ipoh** +605-282 6382 **Penang** +604-530 2417
Sibu +6084-322 022 **Kuching** +6082-244 155 **Bintulu** +6086-331 720 **Miri** +6085-424 716 **Kota Kinabalu** +6088-218 811
Sandakan +6089-217 799 **Tawau** +6089-776 355 **Lahad Datu** +6089-886 355 **Brunei** +673-223 3641 **Singapore** +65-6353 3933



DWP0069/5K/0312/CPS

This literature is not a complete guide to product usage. Further information is available from your Davey dealer, Davey Support Centre and from the relevant product Installation and Operating Instructions. This data sheet must be read in conjunction with the relevant product Installation and Operating Instructions and all applicable statutory requirements. Product specifications may change without notice.

© Davey is a registered trademark of Davey Water Products Pty Ltd. © Davey Water Products Pty Ltd 2012.