

**100<sup>th</sup>**  
ANNIVERSARY

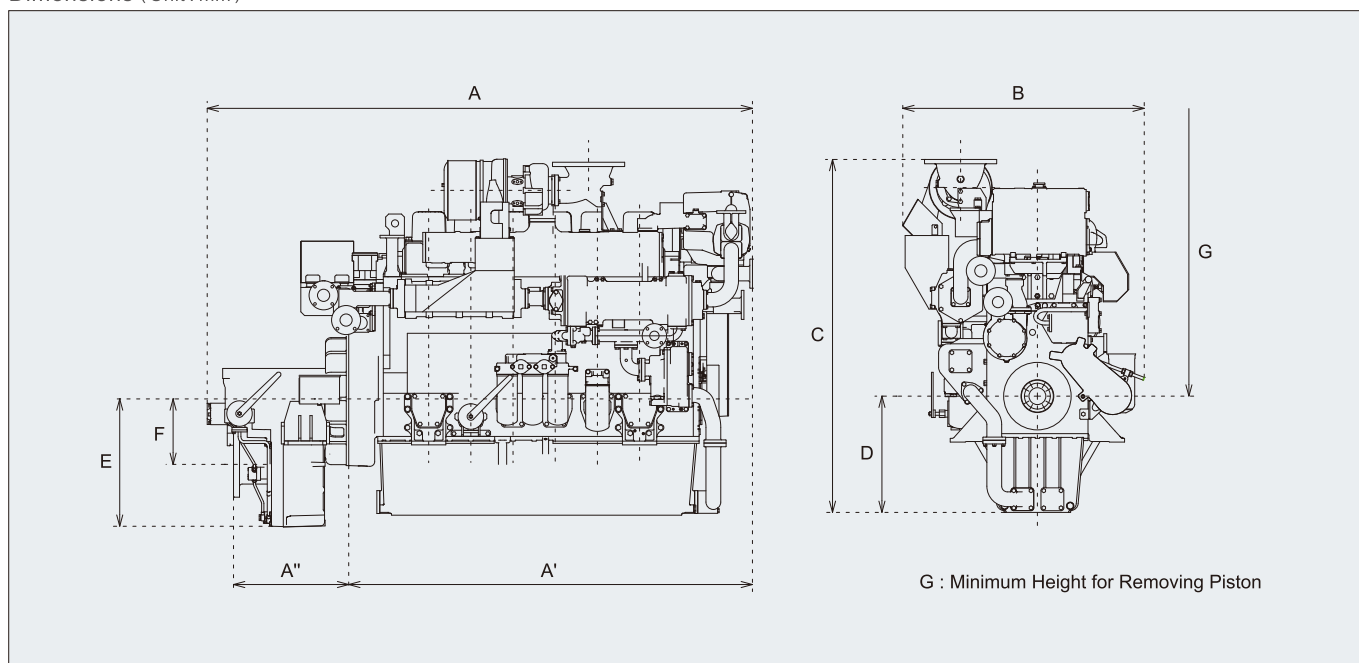
**6EY17W**  
Rated Output 837kW



**EcoDiesel**  
Lower fuel consumption  
Lower NOx emissions

IMO Tier II  
Compliant

Dimensions (Unit : mm)



G : Minimum Height for Removing Piston

Model	Marine Gear	A	A'	A''	B	C	D	E	F	G
6EY17W	YXH-500	2908	2154	615	1305	1882	620	682	349	1300
	YXH-500L	3092	2154	795	1305	1882	620	862	429	1300

#### Engine Specifications

Model	6EY17W	
Type	Vertical, water-cooled, 4-cyclediesel engine	
No. of Cylinders,	6	
Bore × Stroke	mm	170 × 230
Total Stroke Volume	lit.	31.3
Rated Output (at Flywheel End)	kW(hp)	837 (1138)
Rated Speed	min <sup>-1</sup>	1450
Direction of Rotation	Counterclockwise as viewed from flywheel end	
Combustion System	Direct injection	
Lubricating System	Fully automatic lubrication by pump equipped in engine	
Cooling System	Constantly high temperature cooling system	
Starting System	Electric starting motor	
Dry Weight	kg	3880

#### Marine Gear Specifications

Marine Gear Model	YXH-500	YXH-500L
Reduction Ratio	2.53, 3.04, 3.48	3.57, 4.07, 4.48, 4.96
Direction of Rotation	Clockwise or Counterclockwise	
Dry Weight	kg	700
		1600

Note : All Data Subject to Change Without Notice.

Authorised Distributor:

Powered by **YANMAR**

**PANSAR**

**Pansar Company Sdn. Bhd. (50977M)**

Wisma Pansar, 23-27 Jalan Bengkel, P.O.Box 319, 96007 Sibul, Sarawak.

H +6084-333 366 : +6084-314 555 9 marine.industrial@pansar.com.my K pansar.com.my

**Kuala Lumpur Regional Office**

No. 7 Jalan Astaka, U8/84, Bukit Jelutong Industrial Park, Seksyen U8, 40150 Shah Alam, Selangor.

H +603-7845 3366 : +603-7846 9031

**Kuala Lumpur** +603-7845 3366 **Johor Bahru** +607-364 5049 **Muar** +606-951 0386 **Ipoh** +605-282 6382 **Penang** +604-530 2417

**Sibu** +6084-322 022 **Kuching** +6082-244 155 **Bintulu** +6086-331 720 **Miri** +6085-424 716 **Kota Kinabalu** +6088-218 811

**Sandakan** +6089-217 799 **Tawau** +6089-776 355 **Lahad Datu** +6089-886 355 **Brunei** +673-223 3641 **Singapore** +65-6353 3933